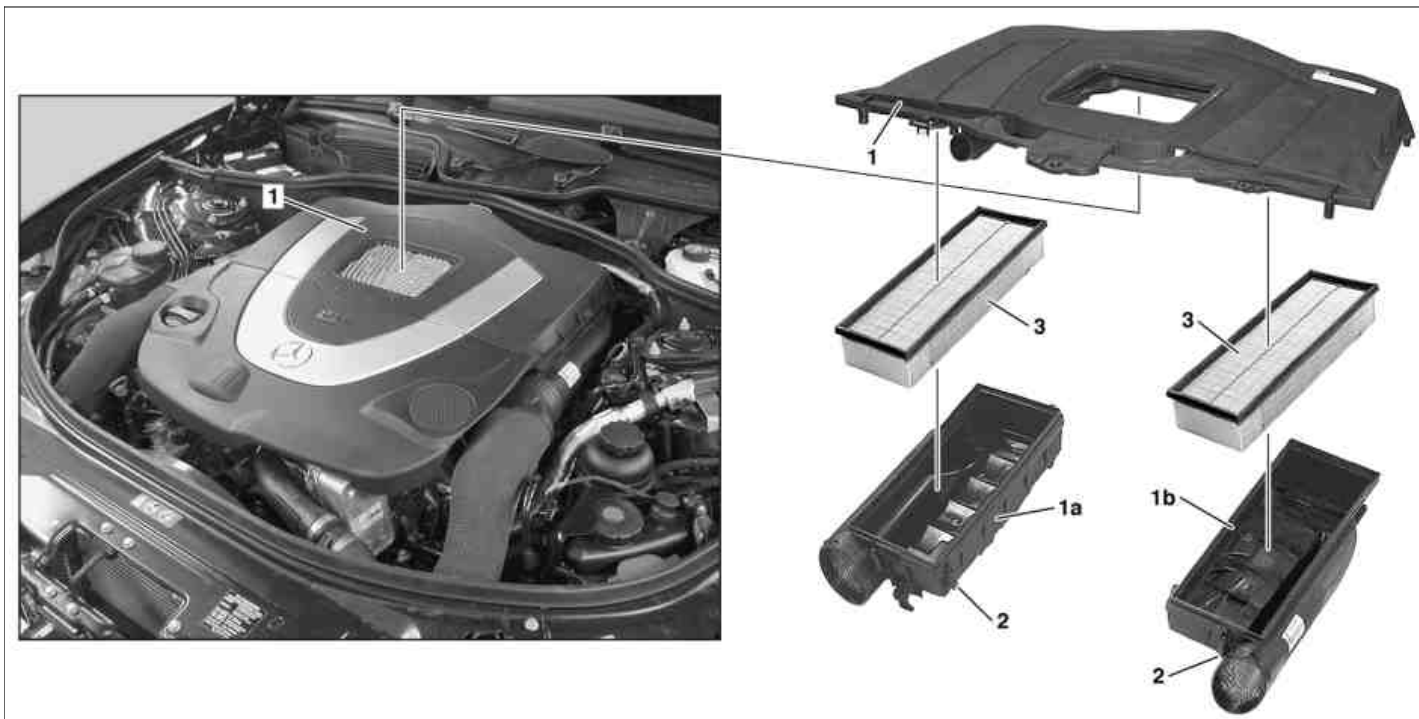


ENGINES 272, 273 in MODEL 230

ENGINES 273 in MODEL 209



P09.10-2155-09

1 Air cleaner housing

1a Housing lower part

2 Screw

1b Housing lower part

3 Air filter element

**Modification notes**

18.10.07	Notes on avoiding damage through contamination and foreign objects, added		
----------	---	--	--

	<b>Remove/install</b>		
	Notes on avoiding damage through contamination and foreign objects		AH00.00-P-5000-01A
1	Switch off ignition		
2	Remove air filter housing (1).	In order to avoid scratches and damage, put down air filter housing (1) on a padded base.	
AR	Remove/install air filter housing	Model 230	AR09.10-P-1150RX
AR	Remove/install air filter housing	MODEL 209	AR09.10-P-1150QB
3	Slacken bolts (2)	The bolts (2) remain in the housing lower parts (1a, 1b) of the air filter housing (1).	
4	Remove housing lower parts (1a, 1b) of the air filter housing (1)		
5	Take out air filter elements (3)	<b>Installation:</b> Replace air filter elements (3), do not clean.	
	<b>Clean</b>		
6	Clean housing lower parts (1a, 1b) and air filter housing (1) on the inside	Cleaner from package	*BR00.45-Z-1028-04A
7	Install in the reverse order		

**Repair materials**

Number	Designation	Order number
--------	-------------	--------------

BR00.45-Z-1028-04A	Cleaner from package	Adolf Würth GmbH & Co. KG Reinhold-Würth-Str. 12-17 74653 Künzelsau-Gaisbach Germany Tel. +49 7940 15-0 Fax +49 7940 15-1000 <a href="http://www.wuerth.de">www.wuerth.de</a>
--------------------	----------------------	---