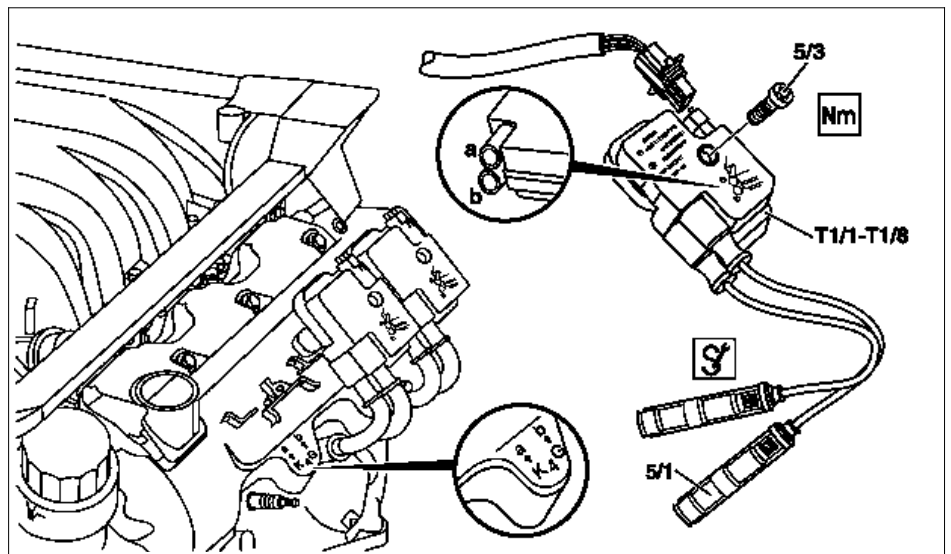


ENGINES 112.910 in MODEL 202.026 /086
ENGINES 112.920 in MODEL 202.029 /089
ENGINES 112.921 in MODEL 210.063 /081 /263 /281
ENGINES 112.922 in MODEL 220.063 /163
ENGINES 112.923 in MODEL 129.059
ENGINES 112.940 in MODEL 208.365 /465
ENGINES 112.941 in MODEL 210.065 /082 /265 /282
ENGINES 112.942 in MODEL 163.154
ENGINES 112.943 in MODEL 129.064
ENGINES 112.944 in MODEL 220.065 /165
ENGINES 112.945 in MODEL 463
ENGINES 113.940 in MODEL 210.070 /270
ENGINES 113.941 in MODEL 220.070 /170
ENGINES 113.960 in MODEL 215.375, 220.075 /175 /875
ENGINES 113.961 in MODEL 129.068
ENGINES 113.962 /982 in MODEL 463
ENGINES 113.980 in MODEL 210.074 /274
ENGINES 113.944 in MODEL 202.033 /093
ENGINES 113.942 in MODEL 163.172
ENGINES 113.943 in MODEL 208.370 /470
ENGINES 113.984 in MODEL 208.374 /474
ENGINES 113.981 in MODEL 163.174
ENGINES 112.912 in MODEL 203.061 /261, 209.361 /461
ENGINES 112.946 in MODEL 203.064 /264
ENGINES 112.947 in MODEL 170.465
ENGINES 112.960 in MODEL 170.466
ENGINES 113.986 in MODEL 215.373, 220.073 /173
ENGINES 112.961 in MODEL 203.065 /265
ENGINES 113.965 in MODEL 163.175
ENGINES 113.963 in MODEL 230.475
ENGINES 113.968 in MODEL 209.375 /475
ENGINES 112.913 in MODEL 211.061 /261
ENGINES 112.949 in MODEL 211.065 /265
ENGINES 113.967 in MODEL 211.070 /270
ENGINES 113.992 in MODEL 230.474
ENGINES 113.987 in MODEL 209.376 /476
ENGINES 112.955 in MODEL 209.365 /465
ENGINES 113.990 in MODEL 211.076 /276
ENGINES 113.991 in MODEL 215.374, 220.074 /174
ENGINES 112.916 in MODEL 203.081 /281
ENGINES 112.953 in MODEL 203.084 /284
ENGINES 112.972 in MODEL 220.067 /167
ENGINES 112.973 in MODEL 230.467
ENGINES 112.970 in MODEL 163.157
ENGINES 112.975 in MODEL 220.087 /187
ENGINES 113.948 in MODEL 220.083 /183
ENGINES 113.966 in MODEL 220.084 /184
ENGINES 112.917 in MODELS 211.080 /280
ENGINES 112.954 in MODEL 211.082 /282
ENGINES 113.969 in MODEL 211.083 /283
ENGINES 113.988 in MODEL 203.076 /276
ENGINES 113.993 in MODEL 463.270 /271
ENGINES 113.989 in MODEL 171.473
ENGINES 113.995 in MODEL 230.472

Shown on engine 112

- 5/1 Spark plug connector
- 5/3 Screw
- T1/1 Cylinder 1 ignition coil
- T1/2 Cylinder 2 ignition coil
- T1/3 Cylinder 3 ignition coil
- T1/4 Cylinder 4 ignition coil
- T1/5 Cylinder 5 ignition coil
- T1/6 Cylinder 6 ignition coil
- T1/7 Cylinder 7 ignition coil
- T1/8 Cylinder 8 ignition coil

Arrow: Identification of the connector



P15.12-2045-05

Modification notes

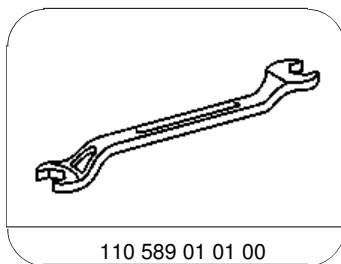
16.5.06	"Disconnect/connect battery ground line" removed	Model 203, 209,	
---------	--	-----------------	--

	Remove/install		
Danger!	Hazard from touching parts which conduct high voltages	Do not touch parts which conduct high voltages. Persons who wear electronic implants (e.g. heart pacemakers) should never perform any work on the ignition system.	AS15.10-Z-0001-01A
	Notes on avoiding damage to ignition system		AH15.10-P-0002-01D
1 	Deactivate service mode in TELE AID emergency call system Notes on TELE AID emergency call system	Only on model 463.270 with code: Tele-Aid car phone emergency call system ET2. Model 463.243/244/245/247/248/250/254/270/309/322/323/332/333 TELE AID car telephone emergency call system ET2	AR82.95-P-0005-03GR AH82.95-P-0001-01GA
2	Disconnect ground line from battery	Model 463 except model 463.241/248 with code 979 special protection version Model 463.241 with: -special protection version code 979, -special protection version FB4 with code ZS4, -special protection version FB6 with code ZS6, -special protection version FB7 with code ZS7, additional battery 100 Ah incl. cutoff relay CODE E26. Model 463.248 with: -special protection version, code 979, -special protection version FB6, code ZS6, -special protection version FB7, code ZS7, -additional battery 100 Ah including cutoff relay, code E26.	AR54.10-P-0003G AR54.10-P-0003PV AR54.10-P-0003PM
3	Unclip cover on front side of engine	Model 211, 215, 220, 230.475/476	
4.1	Remove engine cover with integrated air filter	Except model 170.466, 203.065/076/265/276, 209.376/476 from 24.4.04, 211.076/276, 215.374, 220.074/174, 230.474, 463.270/271 The air filter is integrated in the engine cover. Remove the engine cover or the air filter housing by pulling it from the cylinder head covers vertically in the upward direction.	
4.2	Remove air filter housing	Model 170.466, 203.065/265, 211.076/276, 215.374, 220.074/174, 230.474 Model 203.076 /276, 209.376 /476 from 24.4.04, 171.473 Model 463.270/271	AR09.10-P-1150SVK AR09.10-P-1150AC AR09.10-P-1150GX

5	Remove screw (5/3)	Nm	*BA15.10-P-1001-04A
6	Detach spark plug connector (5/1) from the spark plugs	i Pry off spark plug connector (5/1) using open-end wrench, double over the cylinder head cover of the spark plugs. i Installation: Observe the identification of the connector (arrow) on the cylinder head cover and the ignition coil of cylinders 1 to 6 or 1 to 8 for the corresponding spark plug connector (5/1). ☒ Double open-ended wrench	*110589010100
7	Separate electrical connector of ignition coil of cylinder 1 to 6 (T1/1 to T1/6) or 1 to 8 (T1/1 to T1/8)	i Installation: Install new cable ties.	
8	Remove ignition coil of cylinder 1 to 6 (T1/1 to T1/6) or 1 to 8 (T1/1 to T1/8)		
9	Install in the reverse order		
10	i Activate Service mode in Tele-Aid emergency call system Notes on TELE AID emergency call system	i Only on model 463.270 with code: Tele-Aid car phone emergency call system ET2. Model 463.243/244/245/247/248/250/254/270/309/322/323/332/333 TELE AID car telephone emergency call system ET2	AR82.95-P-0005-03GR AH82.95-P-0001-01GA

Nm Ignition coil

Number	Designation	Engine
		112, 113
BA15.10-P-1001-04A	Bolt, ignition coil to cylinder head cover	Nm 8



110 589 01 01 00

Open-end wrench, double